

Your web browser is your remote eye.



FlexWATCH™ - 1160



*Motorized high speed Pan /Tilt /Zoom Network camera server.
Omnidirectional and closer object identification over the TCP/IP network.*

PTZ Network Camera Server

FlexWATCH™ 1160S/SE is a stand-alone PTZ network camera which has built-in PAN/TILT/ZOOM camera, Web server and Real time operation system. With powerful PTZ feature, you can remotely move camera to any direction or zoom in/out the object from anywhere though standard web browser.

It delivers real time live videos at a **rate up to 30fps** over the TCP/IP network.

Fast PAN/TILT, Superb **270x** zoom (27X Optical, 10X Digital zoom) and **up to 32 presets** function enable you to easily focus camera to the target location and zoom up the object with simple mouse click.

Day & Night camera function, IR Sensitivity, WDR (Wide Dynamic Range) for clear image view under back light situation and **DSS**(Digital slow shutter) to view object under low light condition are specific of the camera performance.

Built-in motion detection, up to 5M pre/post alarm buffer, RS-232/RS-485 interface for serial input device, X10 device and advanced alarm notification interface for e-mail, FTP and third party program are some of key features of FlexWATCH™ 1160S.

Key Features

■ **High performance of video transmission**
30fps (NTSC)/25FPS(PAL) at CIF video format over the TCP/IP network

■ **Superb Zoom and Camera performance**
Up to 270x ZOOM (**27x Optical,10X digital**) and **Day & Night , WDR and DSS** function.

■ **High speed Pan/Tilt with 16 presets**
PAN-360°/ Sec Tilt- 200°/ Sec on Preset mode and continuous camera rotation without limit.

■ **Vandal Proof and External housing**
Protect camera with Vandal and Weather proof housing (IP66) with heat & blower for external or any tough environment (**FW-1160SE only**)

■ **5M Pre/Post video alarm buffer**
5M extra memory for pre/post alarm buffer to store event triggered video in the internal memory.

■ **Advanced alarm notification and service**
Powerful FTP, e-mail and Alarm notification to CGI path to third party Web server by various alarm condition

Hardware

- 32bit Embedded CPU
- Flash 4Mbytes /SDRAM: 64Mbytes
- Hardware Motion JPEG engine
- Linux version 2.4.xx operating system

System Requirements

- OS : Win 95/98/2000/XP/NT/ ME, Linux, Mac, Unix, Linux Operation system.
- Browser : MS Internet Explorer(5.x or above Netscape(6.x or above)
- PC H/W Pentium III 500M or above
- RAM: 64 MB and above

Network Protocols

- HTTP, TCP/IP, FTP, Telnet, RARP, PPP, PAP, CHAP, DHCP, SMTP client(e- mail), NTP, PPPoE, Java

Camera

- Image sensor: 1/4"Sony CCD
- Resolution: 480 TV Lines
- Sensitivity : 1.0 200,000Lux(F/1.5)
 Day & Night mode : 0.1Lux
 DSS(Digital Slow Shutter) : 0.0ILux
- Lens : 27x Optical zoom, F 1.5(Wide) - 3.8(Tele),f =3.25- 88.0mm, 10x Digial Zoom

PAN/Tilt

- Max Speed : PAN-360°/ Sec Tilt- 200°/ Sec
- Rotation Angle : H : 360° / V : 90°

Serial Interface

- Two serial ports for console, modem, serial input/output device or Voice kit

LAN Interface

- 10/100BaseT Ethernet auto sensing

Alarm I/O interface

- 1 Opto-coupled inputs or 1 Relay output

Video

- NTSC: 704x480,704x240,352x240,176x112
- PAL: 704x576,704x288,352x288,176x144
- Frame Rate : **30fps(NTSC)/25fps(PAL)**
- Image quality: 6 levels

Security features

- Multi user level protection for camera access, Alarm I/O, PTZ Control, Voice
- Image Encryption

Advanced Service

- Up to 5M memory for Pre/Post alarm buffer
- Built-in Motion detections (Up to 144 blocks)
- e-mail, FTP, alarm Buffer by event or schedule
- IP notification, Alarm Notification to e-mail, CGI path by event or schedule

Others

- Time stamp on Video
- Transmit Serial input data transfer with Video
- IP notification by e-mail

Management

- Configurable by serial or web
- Remote system update via FTP or Web

Developer support

- Provides HTTP CGI API
- ActiveX control development kit

Dimension

- FW-1160S : 224.3mm (8.83") X188(7.40")
 Weight : 3kg (6.6lbs)
- FW-1160SE : 271.3mm (10.66") X216(8.50")
 Weight : 5.9kg (12.9lbs)

PWR Supply

- AC 24 Volt, 1.5Am

Operating Environment

- Temperature : 40° ~ 125°F (5° ~ 50°C)
- Humidity : 20 ~ 80%

Approval

- FCC : Class A / · CE : Class A

Accessories

- Console cable for system set up
- CD for User Guide, Installation wizard
- Quick Installation guide

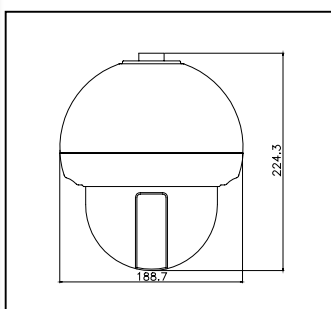
Miscellaneous

- Voice kit(FW-V10s) support
- Work with FW-Manager NDVR S/W
- Dynamic IP support through AOIP

Mounting Bracket

- FSD-ICB** : In-ceiling bracket
- FSD-WB** : Wall mount bracket
- FSD-CB** : Ceiling pendent bracket

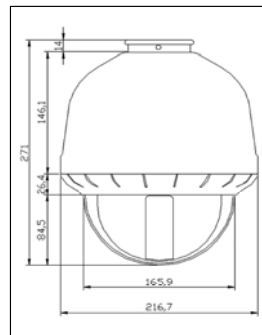
(FSD-WB is Basically offered with FW-1160SE. For the FW1160S, any one of these brackets needs to be separately purchased.)



Dimension :mm



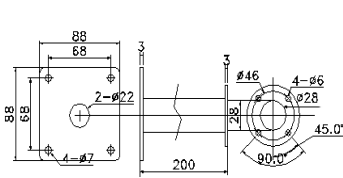
FW-1160S



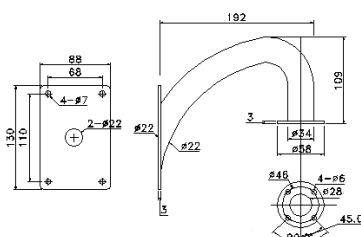
Dimension :mm



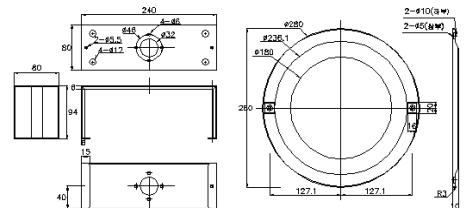
FW-1160SE



FSD-230CB



FSD-230WB



FSD-230ICB